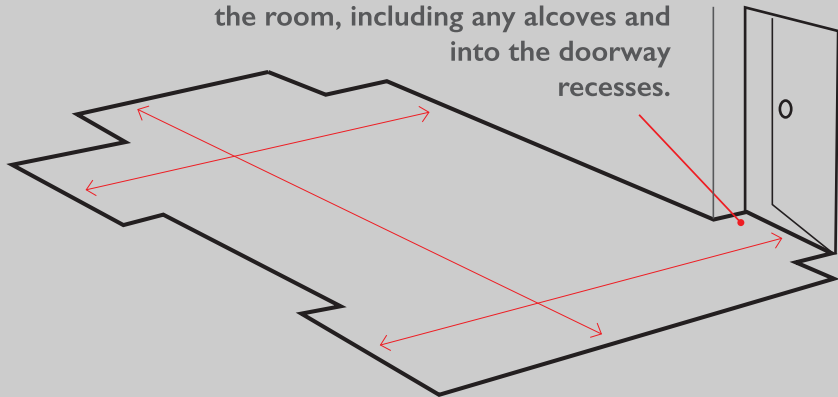


Measuring Guide.

Please follow these guidelines and use the graph paper on page 2 to make your own scale drawing

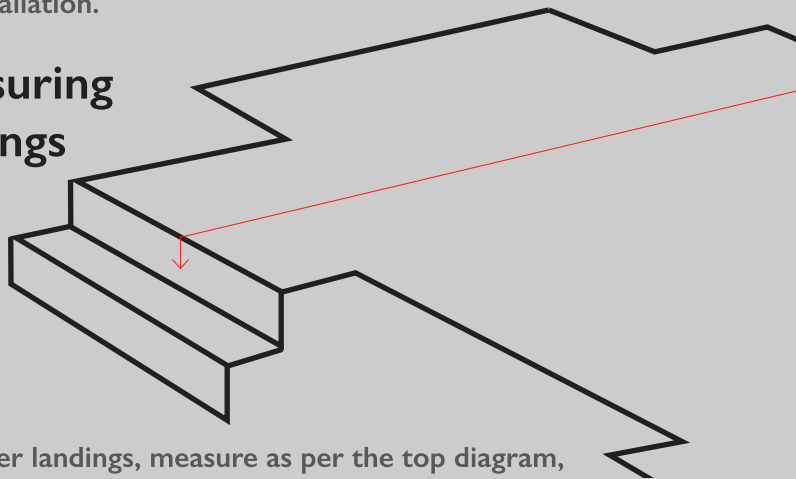
Measuring rooms

Measure the largest extremities of the room, including any alcoves and into the doorway recesses.



Take all the measurements indicated by the red arrows, make a quick sketch and pass this to our sales advisors, for a quick quote, speedy delivery and installation.

Measuring landings



For upper landings, measure as per the top diagram, but also add the depth of the first stair riser, as this will form part of the landing carpet.

Measuring staircases

First, measure a single step; width, tread and riser. Also note the number of steps, ignoring the top riser*. If you have a mid landing, also note those measurements. (W+L).

Stair width
85cm (.85m)

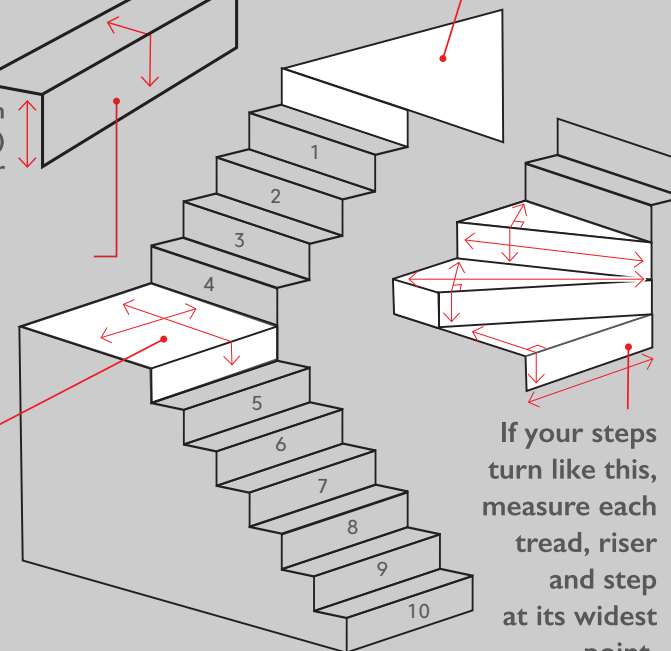
20cm
(.20m)
Tread

15cm
(.15m)
Riser

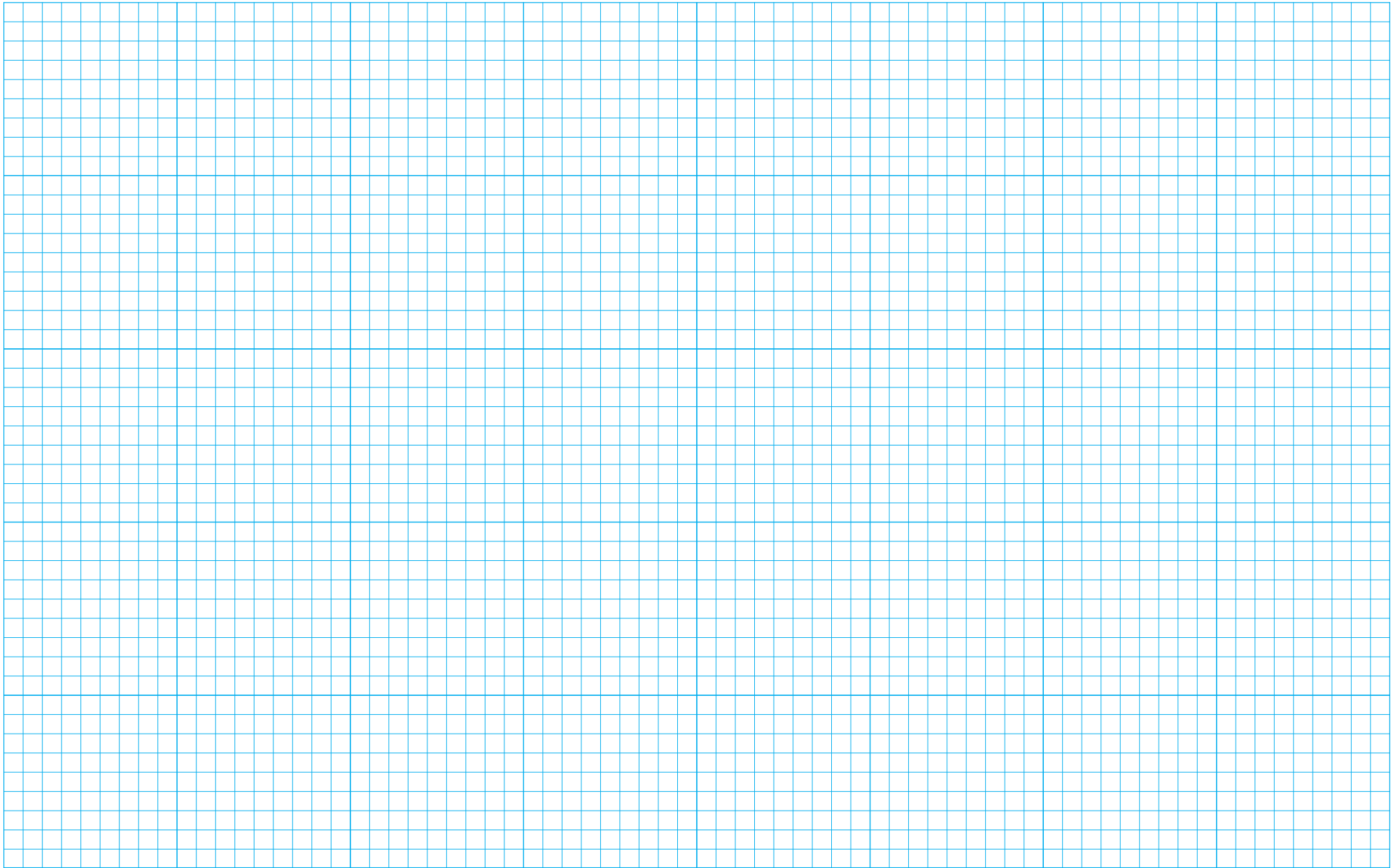
EG: one step =
20cm + 15cm
= 35cm.

Add the measurements for any mid landing area(s), including the riser.

*For landings, the top riser will always be part of the upper landing carpet. (See left)



If your steps turn like this, measure each tread, riser and step at its widest point.



✓ Don't forget to measure into doorways and alcoves ✓ Take a few measurements as most walls are not always straight